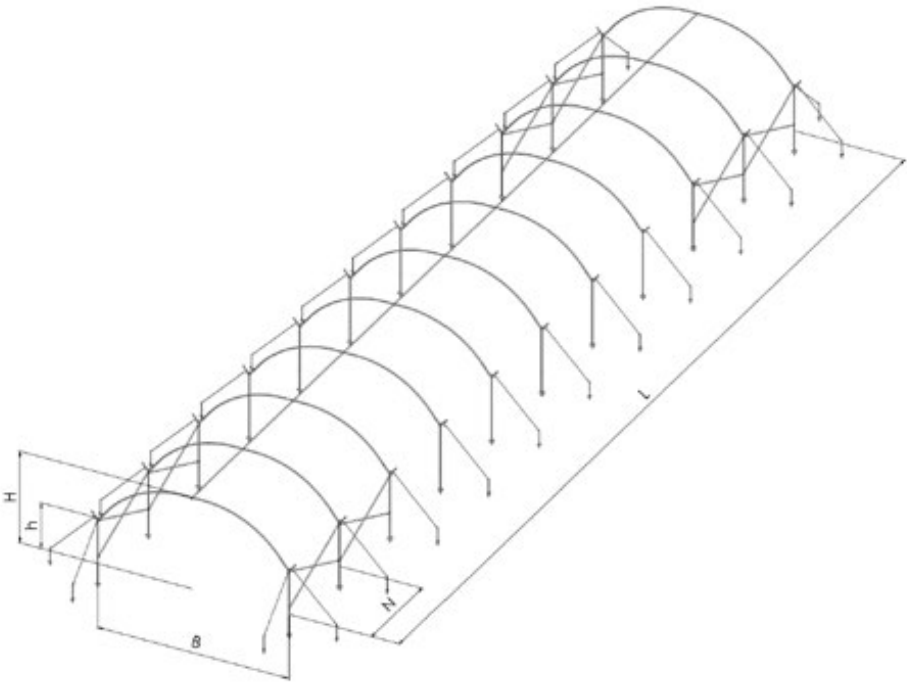


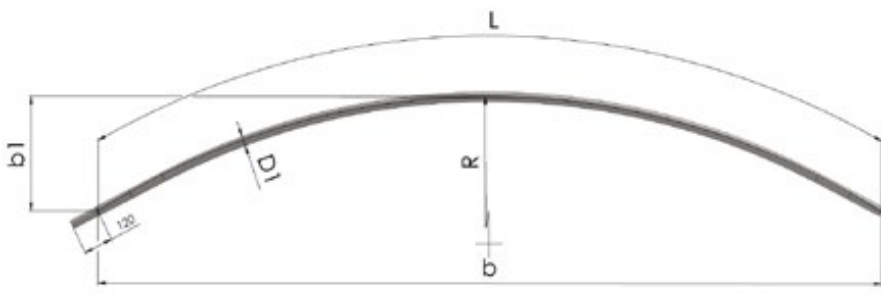


Products can be produced according to our or customer's specification or drawing



KA 01					
					
Geometrical dimensions					
No.	H [m]	h [m]	B [m]	N [m]	L [m]
1	3,00	1,50	6,00	2,0 - 3,0	∞
2	3,50	1,50			
3		2,00			
4	3,50	1,50	7,00	2,0 - 3,0	∞
5		2,00			
6	4,00	1,50			
7		2,00			
8		2,50			
9	4,00	1,50	8,00	2,0 - 3,0	∞
10		2,00			
11		2,50			
12	4,50	1,50			
13		2,00			
14		2,50			
15	4,00	1,50	9,00	2,0 - 3,0	∞
16		2,00			
17		2,50			
18		4,50			
19	2,00				
20	2,50				



Products can be produced according to our or customer's specification or drawing



KA SERIA 01			
GALVANIZED STEEL TUBE - ARCH - Right and Left			
			
Description	D1 x thickness [mm]	L [m]	Material/Coating
Galvanized tube - arch	38x1,5	3,4 - 3,8	DX51D; S220 GD+Z (100; 275 g/m ²)
			S250 GD+Z (100; 275 g/m ²)
			S350 GD+Z (100; 275 g/m ²)
Galvanized tube - arch	38x2,0	3,7 - 4,6	DX51D; S220 GD+Z (100; 275 g/m ²)
			S250 GD+Z (100; 275 g/m ²)
			S350 GD+Z (100; 275 g/m ²)
Galvanized tube - arch	42x1,5	4,2 - 5,4	DX51D; S220 GD+Z (100; 275 g/m ²)
			S250 GD+Z (100; 275 g/m ²)
			S350 GD+Z (100; 275 g/m ²)
Galvanized tube - arch	42x2,0	4,6 - 5,8	DX51D; S220 GD+Z (100; 275 g/m ²)
			S250 GD+Z (100; 275 g/m ²)
			S350 GD+Z (100; 275 g/m ²)
LONGITUDINAL SUPPORT			
			
Description	D1 [mm]	L [m]	Material/Coating
Longitudinal support	32x1,5	3-6,2	DX51D; S220GD + Z (100; 275 g/m ²)
DIAGONAL SUPPORT			
			
Description	D1 x thickness [mm]	L [m]	Material/Coating
Diagonal support	32x1,5	2,5-4,0	DX51D; S220GD + Z (100; 275 g/m ²)

Products can be produced according to our or customer's specification or drawing

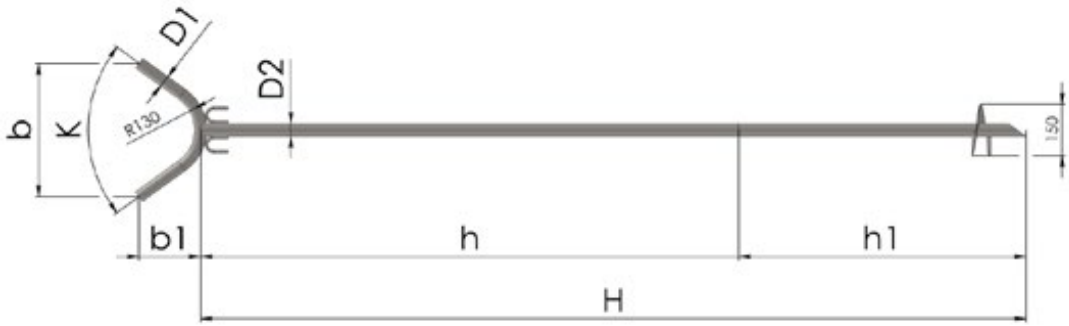



KA 01			
PLASTIC CLIPS			
			
Description	D [mm]	L [mm]	Material
Plastic clips	38	30	PCV
Plastic clips	40		PCV
Plastic clips	42		PCV
WIRE ROPE CLIP			
			
Description	Diameter [mm]	Material	
Wire rope clip	8	Steel galvanized	



Products can be produced according to our or customer's specification or drawing



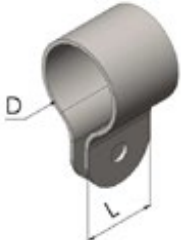


KA SERIA 01						
Y POST						
						
Lp.	D1 [mm]	D2 [mm]	H [m]	h [m]	h1 [m]	Material/Coating
Y Post + rope catch + ground anchor	34x2,0	38x1,5	2,3 - 3,3	1,5 - 2,0	0,8	S235 + HDG
						S220GD; DX51D + Z (275 g/m ²)
Y Post + rope catch + ground anchor	38x2,0	38x2,0	2,3 - 3,3	1,5 - 2,5	0,8	S235 + HDG
						S220GD; DX51D + Z (275 g/m ²)
Y Post + rope catch + ground anchor	36x2,0	38x2,0	2,3 - 3,3	1,5 - 2,5	0,8	S235 + HDG
						S220GD; DX51D + Z (275 g/m ²)
BOLT ANCHOR						
						
Description	D1 x thickness [mm]	L [mm]	Material			
Bolt anchor	25x2,0	600	S235 + HDG			
			S220GD; DX51D + Z (275 g/m ²)			



Products can be produced according to our or customer's specification or drawing



KA 01			
POLYPROPYLEN ROPE			
			
Description	Diameter [mm]	Material	
Polypropylene rope, UV resistant	8	Polypropylene	
SCREW CONNECTOR			
			
Description	Diameter [mm]	L [mm]	Material
Screw connector	8	45	Steel galvanized, class 8,8
Screw connector	8	80	Steel galvanized, class 8,8
BRACE BAND			
			
Description	D [mm]	L [mm]	Material/Coating
Brace band	25	25	S235; DC01; Zinc 17mic
Brace band	32	35	
Brace band	38	35	
Brace band	50	35	
Brace band	60	35	



Products can be produced according to our or customer's specification or drawing

